



Professional condenser microphone with switchable omni-directional or uni-directional characteristics, internal battery or phantom power.

An excellent all-purpose microphone for professional use in broadcast or recording studios, theater stage sound systems, wherever circumstances demand a combination of good performance, versatility of operational mode, and simplicity of microphone setup.

The Sony C-38B converts instantly from omni-directional to uni-directional characteristics. An improved amplifier gives the C-38B a dynamic range of greater than 116dB, with flat frequency response and sharp directional characteristics in both uni-directional and omni-directional modes. And phantom power capability is another great advantage of the C-38B, making it compatible with other phantom powered studio microphones.

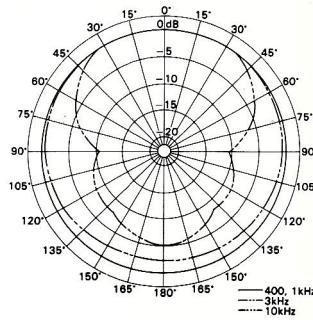
Professional features of the Sony C-38B :

Directivity Switch.

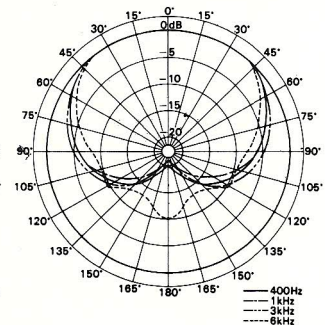
Function Select Switch. Just below the directivity switch, a function select switch allows quick microphone adjustment through five positions: OFF, M (full range response), M₁ (slight low frequency attenuation), V₁ (low frequency attenuation), and V₂ (severe low frequency attenuation).

C-38B

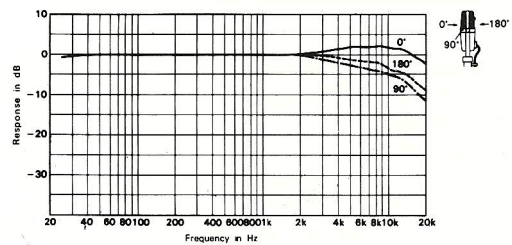
Polar pattern in omni-directional mode



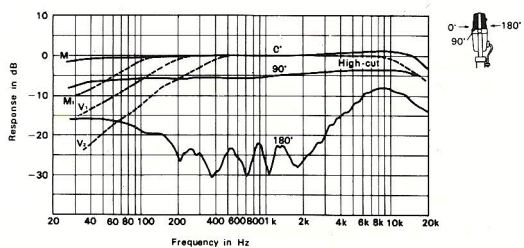
Polar pattern in uni-directional mode



Frequency response in omni-directional mode



Frequency response in uni-directional mode



- High-cut Switch.**
- Pad Switch.**
- Phantom Power System.**
- Internal Battery Power.**
- FET Circuit.**
- Shock Mounting.**

Microphone Specifications

Capsule Type	Condenser	Mic Cable Length	20 ft.
Directivity	uni/omni	Cable Plug Type	XLR-3 Type
Frequency Response Hz	30~16,000*	Power Supply	Phantom Yes**
Output Impedance	250 ohms		Battery Yes
Open Circuit Output Level OdB = 1V/10μ bar @ 1KHz	-48 dB 4.0 mV	Dimensions	Type Equiv. Eveready 216, E146
Signal to Noise Ratio 1KHz 10μ bar	70 dB		max. dia. 3"
Maximum Sound Pressure Level SPL	140 dB	length 8 1/16"	
Dynamic Range	116 dB	Weight	1 lb. 7 oz.
Pad	8 dB	Supplied Accessories	Carrying Case
Equalizer	M, M ₁ , V ₁ , V ₂	Remarks	*± 2.5dB
Mic Connector	Fixed		**AC-148F is available.

Specifications are subject to change without notice