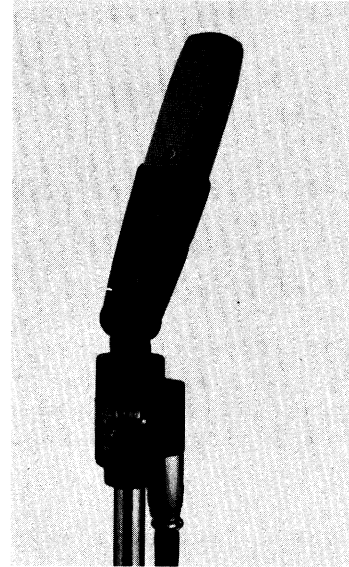


GENERAL

The Model 300 ribbon microphone is a rugged stand-mounted unit with a wide range frequency response and a bidirectional polar pattern. The Model 300 is an excellent choice for broadcasting or recording studios as well as for critical sound reinforcement applications. The microphone's symmetrical front and rear pickup and its greatly reduced side pickup make it ideal for such uses as across-the-table interviews or dialogue, stages with loudspeakers directly to the side or overhead, and combined pickup of facing instrumental groups in recording studios.

The Model 300 is supplied with a Voice/Music switch that provides either flat or rolled off low frequency response and with an impedance-selection switch allowing choice of three rated impedances: "L"—38 ohms, "M"—150 ohms, and "H"—high impedance. A built-in vibration isolator and internal ribbon protection make the microphone suitable for a wide variety of applications.



Microphone Features:

- Ribbon microphone with wide range response
- Switch selectable flat or rolled off low end
- Bidirectional polar pattern, ideal for interviews
- Internal ribbon protection assures reliable operation under rigorous operating conditions
- Built-in vibration isolator and lifetime swivel
- Convenient impedance selection switch, microphone usable with all amplifiers

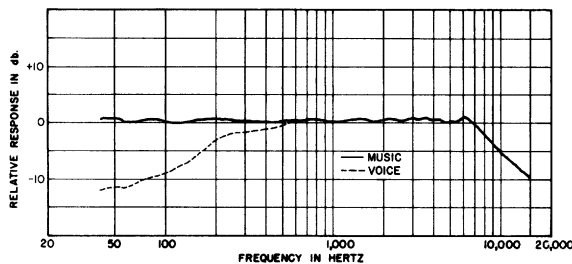
SPECIFICATIONS

Type

Ribbon

Frequency Response

40 to 15,000 Hz (see Figure 1)



TYPICAL FREQUENCY RESPONSE

FIGURE 1

Polar Pattern

Bidirectional—uniform with frequency, symmetrical about axis (see Figure 2)

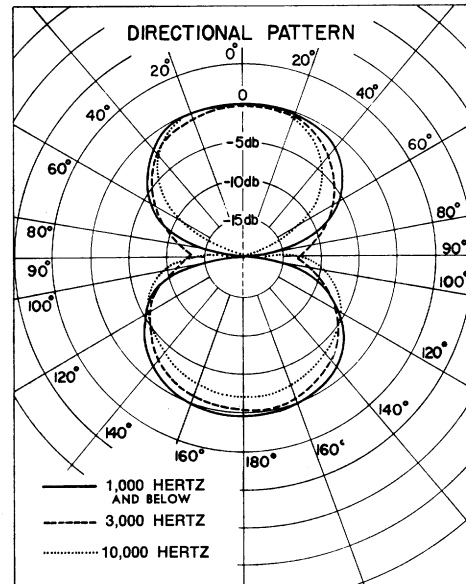


FIGURE 2

Impedance

Multiple. "L": Microphone rating impedance is 38 ohms (40 ohms actual) for connection to microphone inputs rated at 19 to 75 ohms. "M": Microphone rating impedance is 150 ohms (260 ohms actual) for connection to microphone inputs rated at 75 to 300 ohms. "H": Microphone impedance is "High" for connection to high-impedance microphone inputs. Three-position impedance change switch.

Output Level (at 1,000 Hz)

Open Circuit	“L”	“M”	“H”
Voltage*	-85.5 dB (.053 mV)	-77.0 dB (.141 mV)	-56.0 dB (1.58 mV)
Power Level**	-57.5 dB	-57.0 dB	
*0 dB = 1 volt per microbar			
**0 dB = 1 milliwatt per 10 microbars			

Switches

Rotary Voice/Music response switch and rotary impedance selection switch

Cable

6.1m (20 ft) two-conductor shielded, rubber-jacketed, broadcast type, with three-pin professional audio connector* (female) on microphone end

*Designed to mate with Cannon XL series, Switchcraft A3 (Q.G.) series, or equivalent connector

Swivel and Shock Mount Assembly

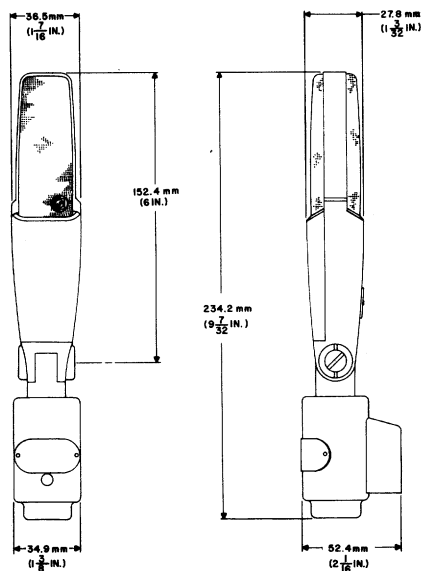
Positive action, permits tilting head through 135°, shock-mounted with internal rubber vibration isolator, suitable for mounting on stand with 5/8"-27 thread

Case

Dark-gray enamel die casting and light-gray brass screen

Dimensions

See Figure 3



OVERALL DIMENSIONS
FIGURE 3

Net Weight

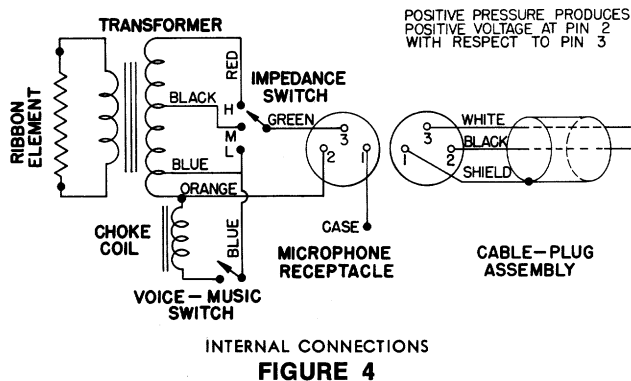
581.5 grams (1 lb, 4 oz)

Packaged Weight

1.28 kg (2 lb, 13 oz)

REPLACEMENT PARTS

CartridgeR30
CableC50



INTERNAL CONNECTIONS
FIGURE 4

ARCHITECTS' SPECIFICATIONS

The microphone shall be a moving ribbon type with a frequency response of 40 to 15,000 Hz. The microphone shall have a bidirectional polar characteristic; the cancellation at the sides shall be 12 to 20 dB. The unit shall have multiple rating impedances of 38 ohms, 150 ohms, and high impedance. The microphone output shall be:

38 ohms-57.5 dB
(0 dB = 1 milliwatt per 10 microbars)	
150 ohms-57.0 dB
(0 dB = 1 milliwatt per 10 microbars)	
High impedance-56.0 dB
(0 dB = 1 volt per microbar)	

The microphone shall be equipped with a low-frequency-response selection switch and an impedance-selection switch. The microphone shall also be equipped with a built-in shock-mounted swivel suitable for mounting on a stand with a 5/8"-27 thread. The microphone shall be provided with a detachable 6.1m (20 ft) two-conductor shielded cable equipped with a three-pin female audio connector designed to mate with Cannon XL series, Switchcraft A3 (Q.G.) series, or equivalent male connector. The overall dimensions of the microphone shall be 234.2 mm (9-7/32 in.) in height, 36.5 mm (1-7/16 in.) in width, and 52.4 mm (2-1/16 in.) in depth.

The microphone shall be Shure Model 300 or equivalent.

GUARANTEE

This Shure product is guaranteed in normal use to be free from electrical and mechanical defects for a period of one year from date of purchase. Please retain proof of purchase date. This guarantee includes all parts and labor. This guarantee is in lieu of any and all other guarantees or warranties, express or implied, and there shall be no recovery for any consequential or incidental damages.

SHIPPING INSTRUCTIONS

Carefully repack the unit and return it prepaid to:
Shure Brothers Incorporated
Attention: Service Department
1501 West Shure Drive
Arlington Heights, Illinois 60004

If outside the United States, return the unit to your dealer or Authorized Shure Service Center for repair. The unit will be returned to you prepaid.