



RE11

Variable-D® Dynamic Supercardioid Microphone

- Reduced proximity effect
- Effective internal pop protection
- Little off-axis coloration
- Supercardioid pattern
- Steel case provides strength and magnetic shielding
- Bass roll-off switch

Description and Applications

The Electro-Voice RE11 is a Variable-D® dynamic supercardioid microphone created specially for professional applications requiring a sharply controlled supercardioid directional pattern. It is much like the Electro-Voice RE16, in that it employs a blast filter which is an integral part of the microphone. The blast filter allows close-up, handheld use without "P-popping" and also allows outdoor use without excessive wind noise. Though the RE11 is very similar to the RE16, it meets requirements where there is less need for precise unit-to-unit matching.

Utilizing the major technological breakthrough of Variable-D® design (a means of deriving directionality), the RE11 features a degree of directional control so effective that frequency response is virtually independent of angular location to the sound source. The result is a microphone that generates little or no off-axis coloration, yet provides the greatest possible rejection of unwanted sounds. A supercardioid, the RE11 provides greatest rejection at 150° off axis. This assures greatest rejection in the horizontal plane when the microphone is tilted in its most natural posi-

tion -30° from horizontal, as on boom or floor stands. (Typical cardioids provide greatest rejection at 180°.) An easily operated "bass-tilt" switch corrects spectrum balance for boom use and other longer-reach situations.

Using the mechanical nesting concept of design — by means of which the internal transducer parts are nested one within another — the RE11 transducer is a nearly solid mechanical structure that is highly resistant to damage from mechanical shock. The exclusive nonmetallic Electro-Voice Acoustalloy® diaphragm is virtually unaffected by extremes of atmospheric conditions. A carefully designed steel outer case provides excellent magnetic shielding and additional mechanical protection. Finish is a fawn beige. The RE11 has a Memraflex™ grille that bounces back to retain its shape.

Architects' and Engineers' Specifications

The microphone shall be a Variable-D® supercardioid dynamic type with integral blast filter and with wide range response uniform from 90-13,000 Hz. Proximity effect shall be 10 dB less at 100 Hz than with comparable Single-D designs. Response at any an-

gular position away from the major axis shall be essentially similar to the response on the major axis, attenuated uniformly at all frequencies by an amount appropriate to that angular position. Attenuation at frequencies from 200-3,000 Hz (referred to major axis signal value) shall exceed 22 dB at 150° from major axis in any plane. Attenuation at 180° from major axis at frequencies from 100-3,000 Hz shall exceed 10 dB. Polar characteristic shall be sufficiently uniform in all planes so that it is effectively, a supercardioid of revolution.

A integral passive filter network shall be provided such that when filter switch is in "on" position, low-frequency response shall be so deviated from "flat" response that a fall of 6 dB from 1,000-100 Hz shall be effected. With switch in "off" position, microphone shall be essentially "flat" from 150-1,500 Hz, with an 8 dB roll-off in response from 150-50 Hz and 2 dB rise occurring at 2,000 Hz and extending to 9,000 Hz. Output level shall be -56 dB (0 dB = 1 mW/10 dynes/cm²) and EIA sensitivity rating shall be -150 dB. The diaphragm shall have a particle shield to prevent dust from reaching the diaphragm.

RE 11 Variable-D[®] Dynamic Supercardioid Microphone

RE 11 Variable-D[®] Dynamic Supercardioid Microphone

The case shall be made of steel. The microphone shall have a maximum diameter of 45.2 mm (1.78 in.), with 19.1 mm (0.75 in.) diameter shank and a maximum length of 187.3 mm (7.38 in.). Case finish shall be fawn beige. A stand adapter shall be supplied. The Electro-Voice RE11 is specified.

Uniform Limited Warranty

Electro-Voice products are guaranteed against malfunction due to defects in materials or workmanship for a specified period, as noted in the individual product-line statement(s) below, or in the individual product data sheet or owner's manual, beginning with the date of original purchase. If such malfunction occurs during the specified period, the product will be repaired or replaced (at our option) without charge. The product will be returned to the customer prepaid.

Exclusions and Limitations: The Limited Warranty does not apply to: (a) exterior finish or appearance; (b) certain specific items described in the individual product-line statement(s) below, or in the individual product data sheet or owner's manual; (c) malfunction resulting from use or operation of the product other than as specified in the product data sheet or owner's manual; (d)

malfunction resulting from misuse or abuse of the product; or (e) malfunction occurring at any time after repairs have been made to the product by anyone other than EVI Audio Service or any of its authorized service representatives. **Obtaining Warranty Service:** To obtain warranty service, a customer must deliver the product, prepaid, to EVI Audio Service or any of its authorized service representatives together with proof of purchase of the product in the form of a bill of sale or receipted invoice. A list of authorized service representatives is available from EVI Audio Service at 600 Cecil Street, Buchanan, MI 49107 (800/234/6831 or FAX 616/695/4743). **Incidental and Consequential Damages Excluded:** Product repair or replacement and return to the customer are the only remedies provided to the customer. Electro-Voice shall not be liable for any incidental or consequential damages including, without limitation, injury to persons or property or loss of use. Some states do not allow the exclusion or limitation of incidental or consequential damages so the above limitation or exclusion may not apply to you. **Other Rights:** This warranty gives you specific legal rights, and you may also have other rights which vary from state to state.

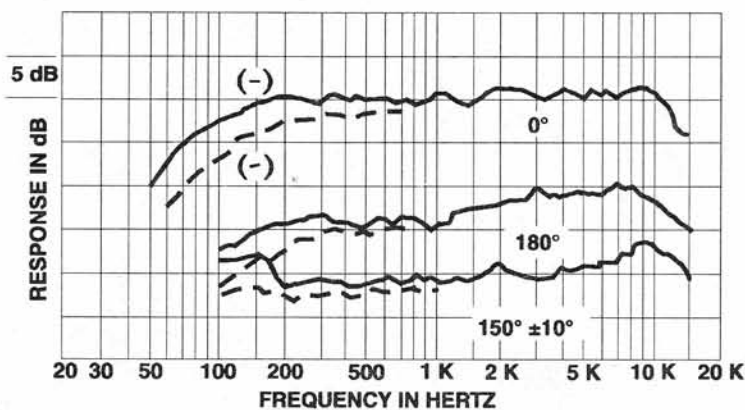
Electro-Voice Wired Microphones are guaranteed against malfunction from any cause for two (2) years from the date of original purchase. In addition, the Limited Warranty for the acoustic system contained in these microphones shall apply for the life of the product, defined as a period of ten (10) years from the date that the manufacture of the specific microphone has been discontinued. Any and all active electronics incorporated in these microphones are guaranteed against malfunction due to defects in materials or workmanship for a period of three (3) years from the date of original purchase. The Limited Warranty does not extend to cables, cable connectors, or switches. Additional details are included in the Uniform Limited Warranty statement.

For warranty repair, service information, or a listing of the repair facilities nearest you, contact the service repair department at: 616/695-6831 or 800/685-2606.

For technical assistance, contact Technical Support at 800/234-6831 or 616/695-6831, M-F, 8:00 a.m. to 5:00 p.m. Eastern Standard time.

Specifications subject to change without notice.

Figure 1—Frequency Response



RE 11 Variable-D[®] Dynamic Supercardioid Microphone

Figure 2—Dimensions

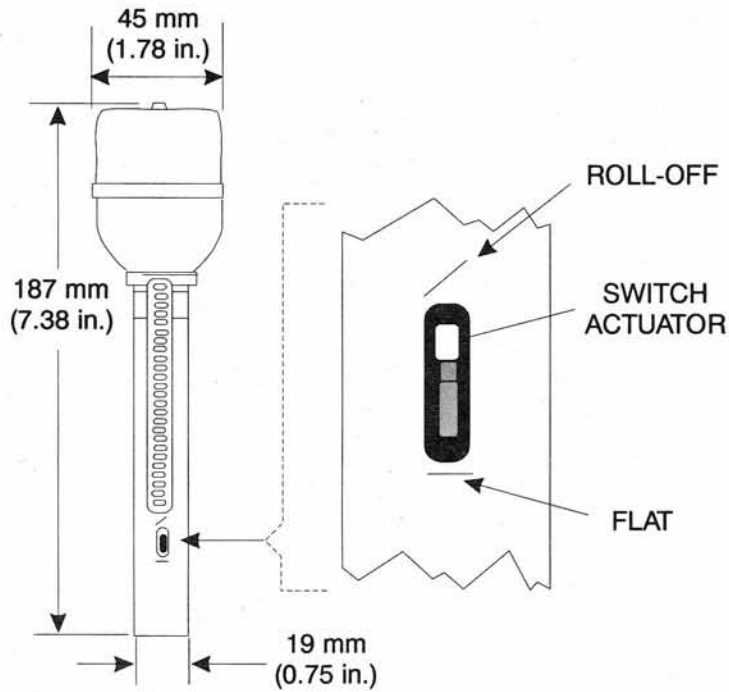


Figure 3—Polar Response
5 dB per division

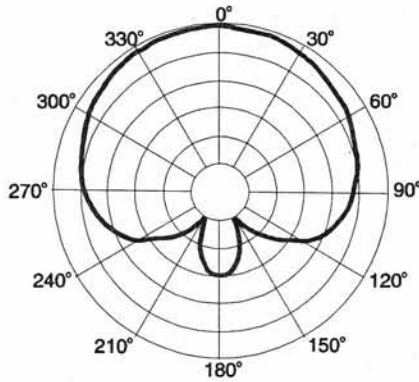
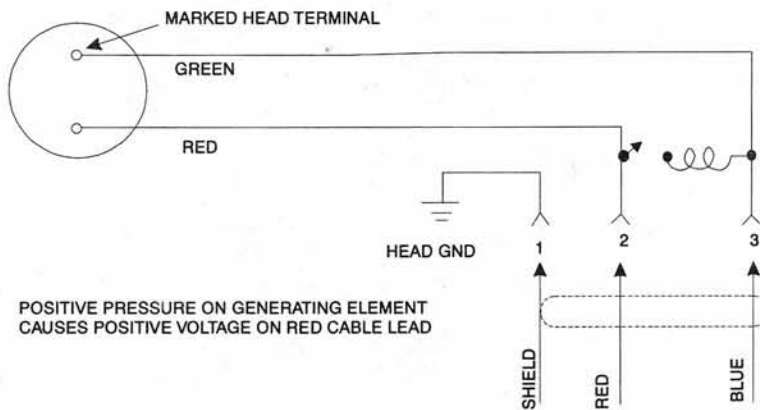


Figure 4—Wiring Diagram



RE 1 1 Variable-D[®] Dynamic Supercardioid Microphone

Specifications

Element:

Dynamic

Frequency Response:

90-13,000 Hz

Polar Pattern:

Supercardioid

Impedance, Low-Z Nominal:

150 ohms

Output Level, (0 dB = 1 mW/10 dynes/cm²):

-56 dB

EIA Sensitivity Rating:

-150 dB

Diaphragm:

Electro-Voice Accoustalloy[®]

Case Material:

Steel

Dimensions,**Length:**

187.3 mm (7.38 in.)

Diameter:

45.2 mm (1.78 in.)

Shank diameter:

19.1 mm (0.75 in.)

Finish:

Fawn beige

Net Weight:

170 g (6 oz)

Accessories Furnished:

Stand adapter

Protective pouch

Optional Accessories:

307A suspension shock mount

313A shock mount

422A desk stand

340 security clamp

RE 1 1 Variable-D[®] Dynamic Supercardioid Microphone

Electro-Voice[®]

600 Cecil Street, Buchanan, MI 49107

616/695-6831, 616/695-1304 Fax