

# 585 Series microphone specifications

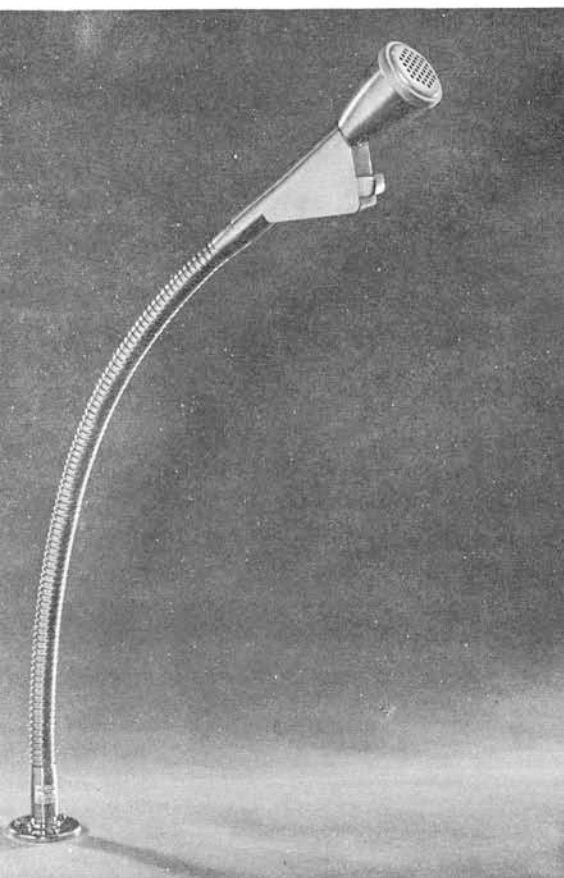


Figure 1  
Model 585 Microphone

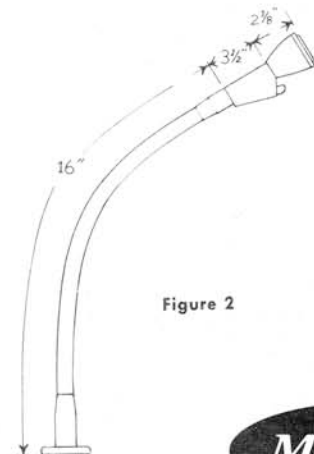


Figure 2

### GENERAL:

The model 585 series microphones are designed for sound installation, encompassing all possible applications. The switch is push-to-talk type without locking device, having DPDT contacts wired to short-circuit the microphone in the normal position and to close the external relay circuit in the operating position. A choice of hi or lo impedance dynamic interiors are available, mounted on a 16" flex-arm.

### APPLICATION:

Grocery, department store check-out counters, language laboratory installations, receptionists and call stations. Wherever a fixed mounting, trouble free microphone is required.

### RELAY OPERATION:

All models come with three or four conductor (one or two shielded) cable to allow the installer to wire for external relay operation. See figures 3 and 4.

### CAUTION:

The amplifier chassis and other associated equipment should be connected to an earthen ground to avoid shock hazard during operation of the system.

### SPECIFICATIONS:

TYPE:  
IMPEDANCE:  
RESPONSE:  
OUTPUT LEVEL:  
(RE: 1 VOLT PER MICROBAR)  
WIRING:  
CABLE LENGTH:  
CASE:  
FINISH:  
MOUNTING:

#### SR585D HI

Dynamic  
Hi  
50-12,000cps  
-58db

Fig. 3

Cable extends 3 1/2 feet beyond end of flexible arm.

#### SR585D LO

Dynamic  
150 Ohm  
50-12,000cps  
-81db  
(-58db in relation to Hi impedance)

Fig. 4

Die cast zinc alloy on a steel flexible arm.

Satin chrome.

3 screw chrome mounting adaptor.



# McMARTIN model 585 Series microphone specification

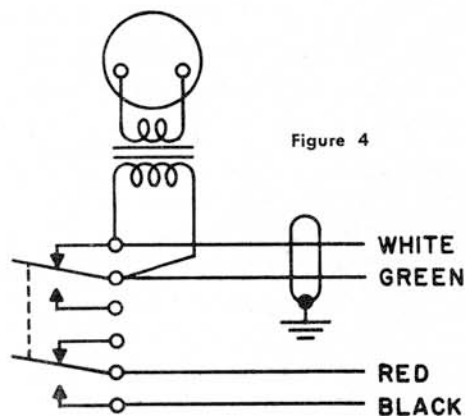
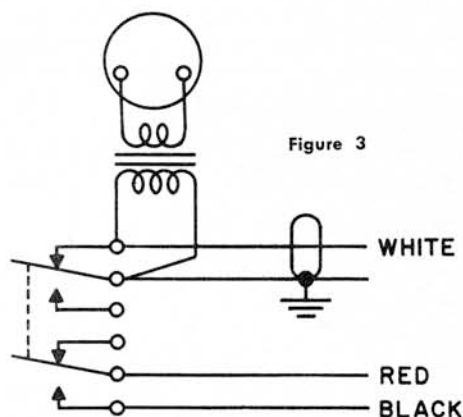
## ARCHITECT-ENGINEERS SPECIFICATIONS:

### DYNAMIC:

The microphone shall be a pressure operated dynamic, McMARTIN model 585 or equivalent. Frequency response shall be uniform from 50-12,000 c.p.s. (50-12,000 c.p.s.)\* and shall be substantially independent of direction to the source of sound. Sensitivity shall be  $-58$  db at hi impedance (ref. 1 volt per dyne  $\text{cm}^2$ ) and RETMA (GM)  $-81$  db at 150 ohms.

The case shall be of one piece die cast zinc alloy with satin chrome finish mounted on a steel flexible arm and mounting flange. Dimensions shall be  $2\frac{1}{2}$ " overall length. The diaphragm shall be of "dynaflex" plastic, having high impact strength and shall be independent of the effects of temperature and humidity. Microphone impedance shall be 25,000 ohms (150 ohms)\*. Cable shall be black three conductor, one shielded (four conductor, two shielded), \* extending  $3\frac{1}{2}$  feet beyond mounting flange. The microphone shall be wired for relay operation.

\* When specifying low impedance dynamic substitute the values in parenthesis.



### GUARANTEE:

All McMARTIN microphones are individually and thoroughly tested before leaving the factory and are guaranteed against defective materials and workmanship for one year, providing that instructions are fully complied with and that units are not opened or tampered with in any way.

*McMartin*

**McMARTIN INDUSTRIES, INC.**  
Omaha, Nebraska, U.S.A.