

Electro-Voice®
a gulton company

Model 502C/502CP Microphone Matching Transformers

SPECIFICATIONS (502C)

Input Impedance:
150 ohms

Output Impedance:
Approx. 40,000 ohms

Frequency Response:
20–15,000 Hz \pm 2 dB

Input Connector:
Switchcraft A3F

Output Connector:
5/8 in. –27 thread MC1M

Shielding:
Transformer is shielded magnetically
and electrostatically

Weight:
72.5 g (2.6 oz)

Case:
Steel

Finish:
Fawn beige micomatte

Cable:
Recommend maximum of
3 ft, Hi-Z

SPECIFICATIONS (502CP)

Input Impedance:
150 ohms

Output Impedance:
Approx. 40,000 ohms

Frequency Response:
20 – 15,000 Hz \pm 2 dB

Input Connector:
Switchcraft A3F

Output Connector:
1/4-inch phone plug

Shielding:
Transformer is shielded magnetically
and electrostatically

Weight:
80.2 g (2.8 oz)

Case:
Steel

Finish:
Fawn beige micomatte

DESCRIPTION AND APPLICATIONS
Electro-Voice Model 502C and 502CP microphone matching transformers are designed to match low impedance microphones to high impedance inputs. Their use becomes necessary when the microphone preamplifier is designed to accept a high impedance microphone and it is necessary to use the microphone some distance from the preamplifier. If a high impedance microphone were used in this case, severe high frequency roll-off would take place and hum would be more likely to be induced into the system. As an indication of the seriousness of the high frequency roll-off problem, a fifteen-foot microphone cable, as supplied with some high impedance microphones, has been known to roll-off high frequency response on the order of 10 dB at 10,000 Hz.

The input end of both models consists of a female XLR microphone connector, a mating connector for attachment to the microphone cable, is supplied. The output end of the 502C consists of a MC1M type connector, while the 502CP output is terminated with a 1/4-inch phone plug permanently attached to the case. It is important that the transformer be installed no further than three-feet away from the input of the microphone preamplifier.

Specifications subject to change without notice.

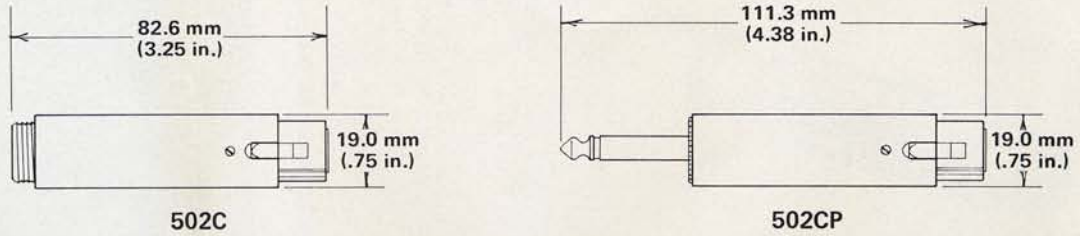


FIGURE 1 – Dimensions

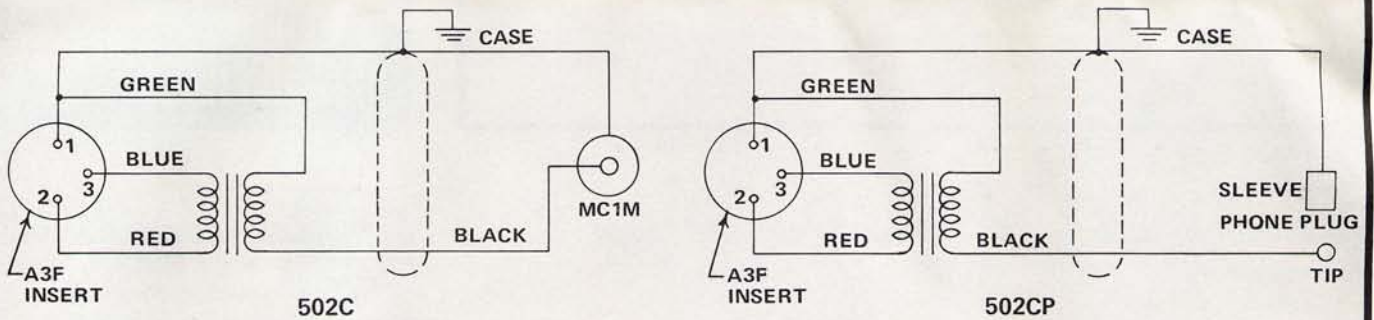


FIGURE 2 – Wiring Diagrams

TEST CONDITIONS: 150 Ohm input load – 27 Kilohm output load

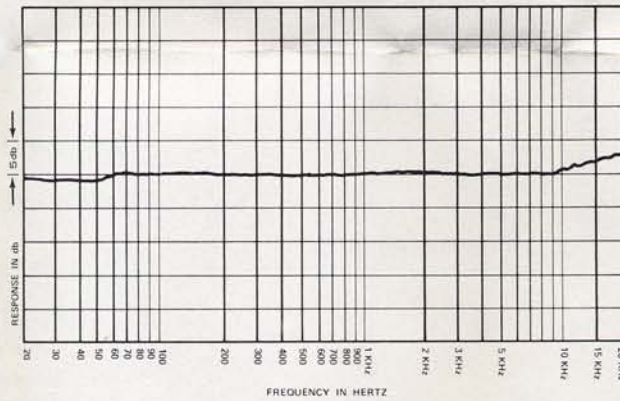


FIGURE 3 – Frequency Response