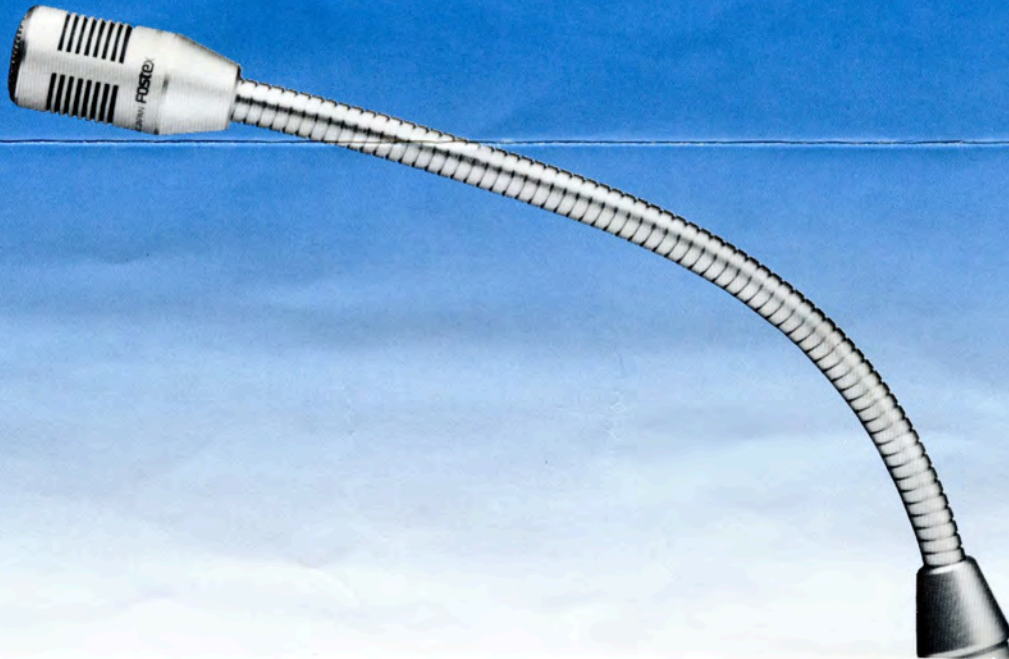


Fostex

M115/M115B

MOVING COIL MICROPHONE

Tailored response for high speech intelligibility
 Hypercardioid pattern for reduced feedback
 Flexible Shaft with low-noise performance
 New suspension system for low vibration pick-up
 On-off switch



The M115 is a high quality moving coil microphone with a flexible shaft, designed for professional, commercial and industrial applications where superior performance and appearance are required. The microphone body and flexshaft are small to allow inobtrusive positioning and a unique, thin diameter flexshaft design produces a very smooth, quality feel not normally found in a flexshaft microphone. Handling and vibration generated noise are kept to a minimum through a highly effective isolation and suspension system. The M115 has a tailored response for high speech intelligibility and a hypercardioid pattern for reduced feedback and ambient noise pick-up. The built-in pop filter reduces wind and breath noise.

The M115 case houses an on-off switch and a XLR connector for direct mounting on the console or podium. The 600 ohm output impedance is suitable for most low impedance microphone inputs. The microphone is finished in matt metal to reduce glare in television and live use.

The Fostex M115 is well suited for a multitude of applications including churches and restaurants (paging), broadcast and recording studios (talkback), as well as other industrial and commercial uses.

M115/ M115B

MOVING COIL MICROPHONE

Specifications

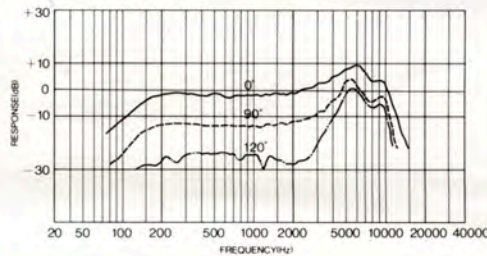
Type	Moving coil
Polar Pattern	Hyper cardioid
Frequency Range	90 ~ 12000 Hz
Output Impedance	600 ohms
Sensitivity	
Open Circuit Voltage (0dB=1 V/Pa)	-60dB
Output Level (0dBm=1 mW/Pa)	-63.8 dBm
EIA Microphone Rating GM	-157 dB
Induction Noise	7 dB SPL Under
Wind Noise	51 dB SPL Under
Output Connector	XLR/A3F
Phase	2-⊕ 3-⊖
Finish	Nickel
Dimensions	22mm X 333mm(dia X length) (7/8 in X 13 1/10 in)
Net Weight	220 g (7.8 oz)

ARCHITECTURAL SPECIFICATIONS

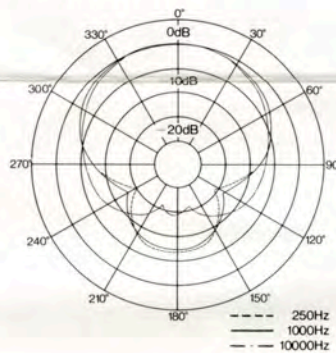
The microphone shall have a nominal diameter of 22 mm (7/8 in), an overall length not greater than 333 mm (13 1/10 in), and a weight of at least 220 g (7.8 oz). The flexshaft portion shall have a length not greater than 200 mm (7 7/8 in). The microphone shall be a moving-coil type with a hypercardioid polar response pattern. The microphone shall incorporate an integral shock mount to minimize external vibration noise response. An internal wind screen shall be provided. The body and flexshaft of the microphone shall be constructed of aluminium and shall be finished in a rugged anodized exterior. The terminating connector shall be an XLR/A3F type. Output termination phase shall be as follows, a positive sound pressure wave on the diaphragm shall produce a positive voltage on pin 2 and a negative voltage on pin 3 of the XLR connector.

The microphone shall meet the following performance criteria. Frequency response measured on axis shall be 90 Hz-12 kHz +5 dB. Sensitivity shall be -60 dB (0 dB=1V/Pa, 1000 Hz). The wind noise specification, measured with a constant parallel air stream of 2 m/sec, shall be no greater than 51 dB equivalent SPL. The induction noise (hum) specification, measured with the microphone in a parallel magnetic field of 1mG, 50 Hz, shall be no greater than 7 dB equivalent SPL. Front-to-back average discrimination at 1000 Hz shall be at least 14 dB. Nominal impedance shall be 600 ohms, balanced to ground. The microphone shall be the Fostex model M115.

Frequency Response



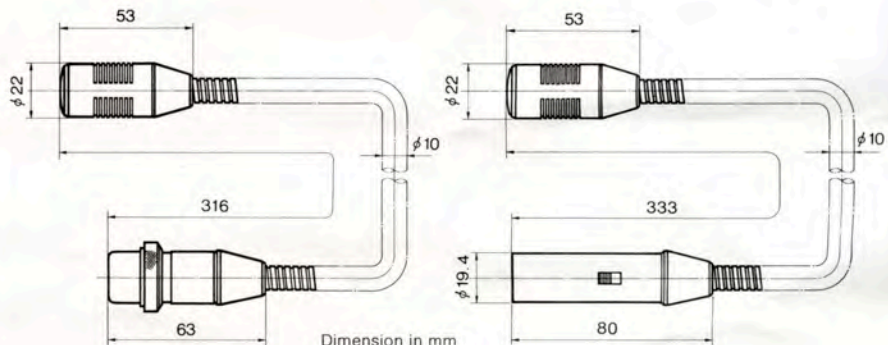
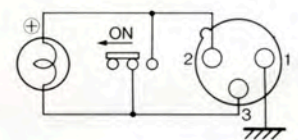
Polar Response Pattern



M115B



M115



Remarks; M115B has Japanese BTS type connector.

FOSTEX CORPORATION

560-3 MIYAZAWACHO, AKISHIMA, TOKYO, JAPAN 196 TELEPHONE: 0425-45-6111
TELEX: 2842 213 FOSTEX J FAX: 0425-46-3198

FOSTEX CORPORATION OF AMERICA

15431 BLACKBURN AVE., NORWALK, CA 90650, U.S.A. TELEPHONE: 213-921-1112 TELEX: 67 4918