

Electro-Voice®

ELECTRO-VOICE, INC.
BUCHANAN, MICHIGAN



Specifications

Model 648 Microphone



Fig. 1 — Model 648 Microphone

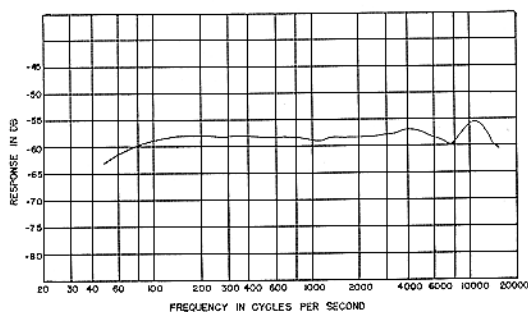


Fig. 2 — Response

The Electro-Voice Model 648 Microphone is a dynamic, omnidirectional type providing smooth, wide range response and high output. Originally created for the audio console in TV and broadcast intercom, this small, slim microphone can be mounted in many ways.

The Model 648 Microphone is furnished with a built-in connector and mating adapter which allows mounting on rigid or flexible boom, desk or floor stand. All leads can be concealed. The microphone is equipped with a pop-proof wire mesh grille minimizing breath blasts.

The Model 648 Microphone features the exclusive Electro-Voice Acoustalloy diaphragm. This nonmetallic diaphragm permits smooth response over a wide frequency range and withstands high humidity, temperature extremes, corrosive effects of salt air, and severe mechanical shocks. It is practically indestructible with normal use.

SPECIFICATIONS

Type: Dynamic

Frequency Response: Uniform from 50 to 10,000 cps.

Impedance: Single choice of 50, 150, or 250 ohms. Line balanced to ground and phased.

Output Level:

50-ohm impedance: -58 db*; RETMA sensitivity rating, -151 db

150-ohm impedance: -58 db*; RETMA sensitivity rating, -152 db

250-ohm impedance: -58 db*; RETMA sensitivity rating, -150 db
*0 db = 1 mw/10 dynes/cm²

Polar Pattern: Omnidirectional, becoming slightly directional at high frequencies.

Diaphragm: Electro-Voice Acoustalloy

Magnetic Circuit: Employs Alnico V and Armco magnetic iron in a non-welded circuit.

Case: High tensile, lathe-turned aluminum

Finish: Nonreflecting gray

Dimensions: Microphone only

Diameter: 1-1/8 in.

Length: 5-9/16 in.

Net Weight: 6 oz less cable.

Cable: None supplied

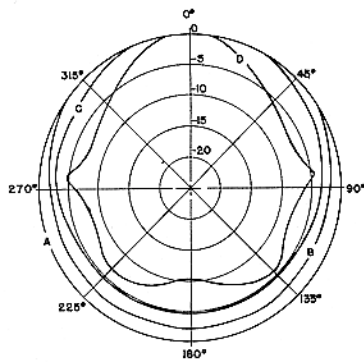
Standard Accessories supplied with microphone:

2 Allen wrenches; Model 348 Adapter.

Optional Accessories: Model 448 Boom Stand

Warranty: The Electro-Voice Model 648 Microphone is guaranteed against defects in workmanship and material.

Architects' and Engineers' Specifications



SCALE: 5 DECIBELS PER DIVISION

A — 500 cps C — 5,000 cps
B — 1,500 cps D — 10,000 cps

Fig. 3 — Polar Pattern

The microphone shall be the Electro-Voice Model 648 or equivalent. The microphone shall be a dynamic type with a nonmetallic Acoustalloy diaphragm. The microphone shall have a magnetic shield to prevent dust and iron particles from reaching the diaphragm. The microphone shall be available in 50, 150, or 250 ohm impedance and shall have a uniform frequency response from 50 to 10,000 cps. Line shall be balanced to ground and phased.

The output level shall be -58 db with 0 db equalling 1 mw/10 dynes/cm². RETMA sensitivity rating shall be -151 db for 50-ohm impedance, -152 db for 150-ohm impedance, and -150 db for 250-ohm impedance. The magnetic circuit shall be a nonwelded circuit and employ Alnico V and Armco magnetic iron.

The case shall be made of high tensile, lathe-turned aluminum. The microphone shall have a diameter of 1-1/8 in., and a length of 5-9/16 in. The net weight of the microphone without cable shall be 6 oz. Finish of the microphone shall be nonreflecting gray. The cable shall not be supplied.

The microphone shall be supplied with two Allen wrenches and Model 348 Adapter which includes connector.

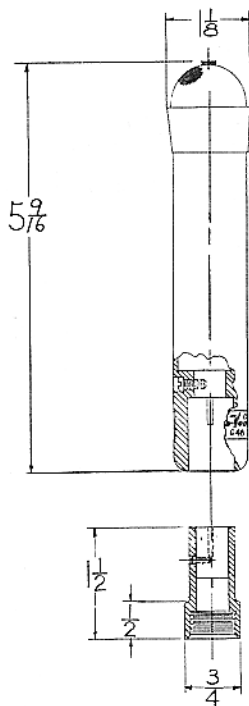


Fig. 4 — Dimensions

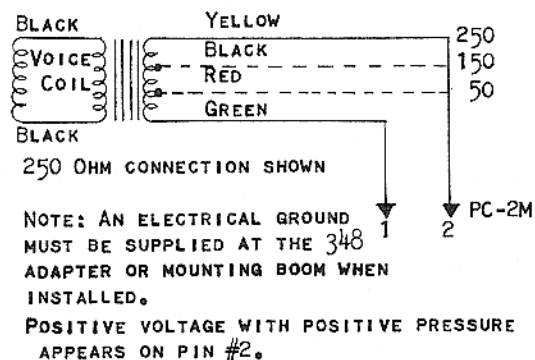


Fig. 5 — Wiring Diagram